

3-Way Sight Flow Indicators

with **flanged** connection acc. to **DIN - PN 16,25,40**

NORIS

Bauform 972

Application:

The flow indicators are used for optical control of fluids and gases, for horizontal and vertical pipe lines.

Operating conditions:

Working pressure: up to 40 bar
Working temperature: 150°C or 280°C

Installation:

Optional; Take care of flow direction

Options:

- with - ANSI flanges
- Extra length
- butt weld ends
- Heating jacket
- Sight glass light - fitting
- Special design acc. to customer

Material:

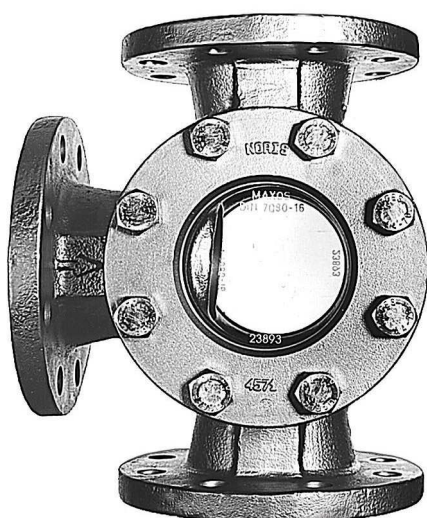
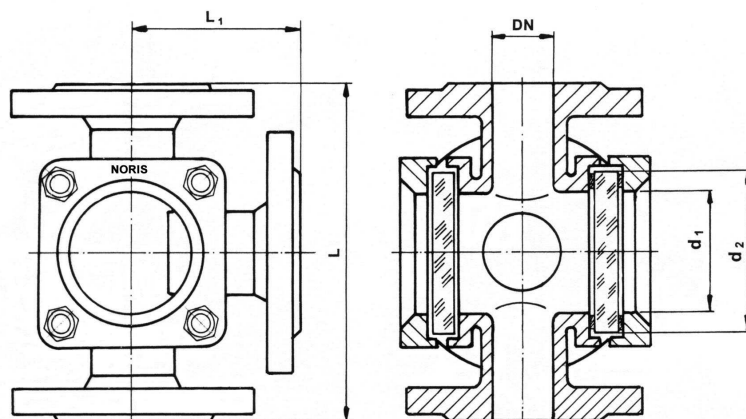
Body	Steel	Stainless steel
Covers	S235JRG2 GS-C 25	WN 1.4408
Screws	4.6 / 5.6 gal.	A4-70
Glass	Borosilicate glass DIN 7080 Soda lime glass DIN 8902	
Gaskets	Graphite, (or other materials)	

Certificate (Option) :

Acc. to EN 10204 - 2.2 or
Acc. to EN 10204 - 3.1

Ordering example:

3 Way Sight Flow Indicators Bauform 972
Steel, borosilicate glass DIN 7080
DN 50, PN 16



Dimensions:

DN	L	L ₁	d ₁	d ₂
15	130	65	32	45
20	150	75	32	45
25	160	80	48	63
32	180	90	65	80
40	200	100	65	80
50	230	115	80	100
65	290	145	80	100
80	310	155	100	125
100	350	175	125	150

Details to dimensions about glass plates see our
NORIS-Bauform 880
DN 125 to DN 250 on request

Modification reserved

NORIS ARMATUREN Burkenstein GmbH & Co. KG

Puscherstrasse 3
D-90411 Nürnberg

Telefon: +49 (0) 911 / 52 150 63
Telefax: +49 (0) 911 / 52 24 40

Internet: Noris-Armaturen.de
E-Mail: Noris@Noris-Armaturen.de