

# Sight Flow Indicators

( Straight line ) with *butt weld ends*

# NORIS

## Bauform 880-S

### Application:

The NORIS flow indicators are used for optical control of fluids and gases, for horizontal and vertical pipe lines. Also available with internal spinner or flap.

### Operating conditions:

Working pressure: 16 / 25 / 40 bar  
Working temperature: 150°C or 280°C

### Installation:

Optional: Take care of flow direction

### Options:

- with - Spinner or Flap
- Heating jacket
- Sight glass light - fitting

### Materials:

**Cast Steel** GS-C 25 ( 1.0619 / GP240GH )  
**Stainless steel** WN 1.4408

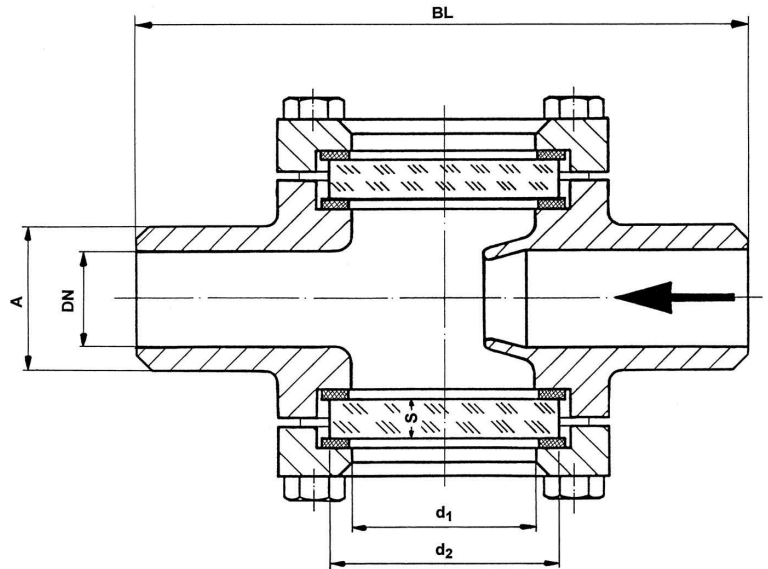
|         |   |                 |
|---------|---|-----------------|
| Body    | <b>GS-C 25</b>  | <b>1.4408</b>   |
| Covers  | GS-C 25 / S235JRG2                                      | 1.4408 / 1.4301 |
| Screws  | 4.6 / 5.6   | A4-70           |
| Glass   | Borosilicate glass DIN 7080<br>Soda-lime glass DIN 8902 |                 |
| Gaskets | Graphite, ( or other materials )                        |                 |

### Certificate: ( Option )

Acc. to EN 10204-2.2 or 3.1

### Ordering example:

Sight Flow Indicators, butt weld ends  
Bauform 880-S,  
GS-C 25, borosilicate glass DIN 7080-16 (bar)  
DN 50 / Ø 61,0 mm



### Dimensions:

| DN / A      | BL  | d <sub>1</sub> | d <sub>2</sub> | S     |       |       |
|-------------|-----|----------------|----------------|-------|-------|-------|
|             |     |                |                | PN 16 | PN 25 | PN 40 |
| 15 / 22,0   | 100 | 32             | 45             | 10    | 10    | 10    |
| 20 / 28,0   | 100 | 32             | 45             | 10    | 10    | 10    |
| 25 / 34,0   | 120 | 48             | 63             | 10    | 12    | 15    |
| 32 / 42,0   | 120 | 48             | 63             | 10    | 12    | 15    |
| 40 / 49,0   | 160 | 65             | 80             | 12    | 15    | 20    |
| 50 / 61,0   | 230 | 80             | 100            | 15    | 20    | 25    |
| 65 / 77,0   | 290 | 80             | 100            | 15    | 20    | 25    |
| 80 / 90,0   | 310 | 100            | 125            | 20    | 25    | 30    |
| 100 / 115,0 | 350 | 125            | 150            | 25    | 30    | 35    |
| 125 / 141,0 | 400 | 150            | 175            | 25    | 30    | a.A.  |
| 150 / 170,0 | 480 | 175            | 200            | 30    | 35    | a.A.  |
| 200 / 222,0 | 600 | 175            | 200            | 30    | 35    | a.A.  |

Modification reserved

# NORIS ARMATUREN Burkenstein GmbH & Co. KG

Puscherstrasse 3  
D-90411 Nürnberg

Telefon: +49 (0) 911 / 52 150 63  
Telefax: +49 (0) 911 / 52 24 40

Internet: Noris-Armaturen.de  
E-Mail: Noris@Noris-Armaturen.de