

Strainer, Y - type PN 16/40

with flanged connection acc. to **DIN**

NORIS

Bauform 140

Application:

Preferably installed in front of measuring instruments, control valves, pumps and sensitive systems.

Operating conditions:

Nominal pressure: max. 16 / 40 bar
Nominal temp.: max. 300°C

Installation:

Optional; Take care of flow direction

Options:

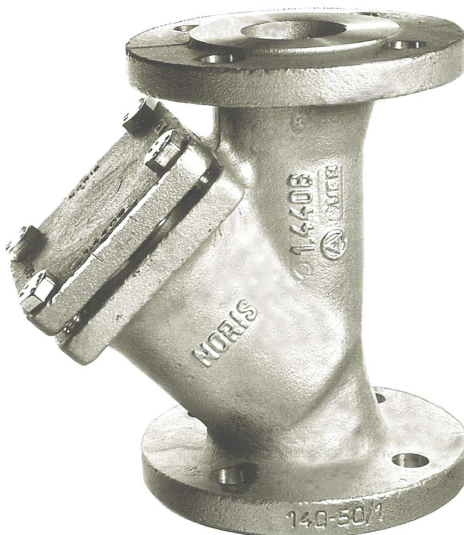
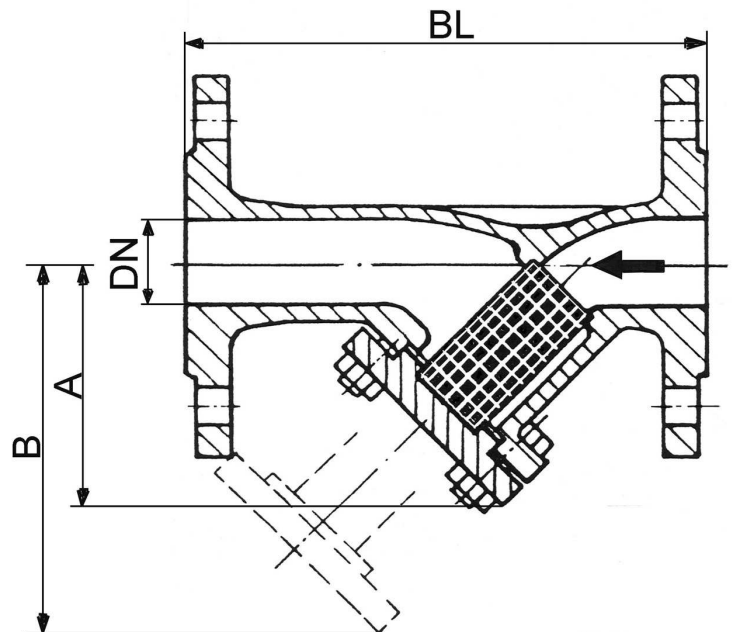
Double screen in WN 1.4571
with flanged connection acc to ANSI
Drain plug
Heating jacket

Materials:

Body	WN 1.4408	GS-C 25
Covers	WN 1.4408/4571	GS-C 25 / H II
Screws	A4 - 70	5.6 gal.
Screen	WN 1.4571 / 1.4401	
Gasket	Graphite (or other materials)	

Ordering example:

Strainer, Y-type Bauform 140
stainless steel
DN 50, PN 16



Dimension:

DN	BL	A	B	Mesh-size
15	130	75	115	0,6
20	150	80	125	
25	160	90	135	0,8
32	180	90	135	
40	200	110	170	
50	230	120	190	
65	290	140	220	1,2
80	310	165	265	
100	350	220	340	
125	400	260	350	1,5
150	480	300	510	
200	600	360	580	
250	730	495	720	

Modification reserved

NORIS ARMATUREN Burkenstein GmbH & Co. KG

Puscherstrasse 3
D-90411 Nürnberg

Telefon: +49 (0) 911 / 52 150 63
Telefax: +49 (0) 911 / 52 24 40

Internet: Noris-Armaturen.de
E-Mail: Noris@Noris-Armaturen.de