

Strainer, Y - type

with flanged connection acc. to **ANSI - 150 lbs**

NORIS

Bauform 140-A

Application:

Preferably installed in front of measuring instruments, control valves, pumps and sensitive systems.

Operating conditions:

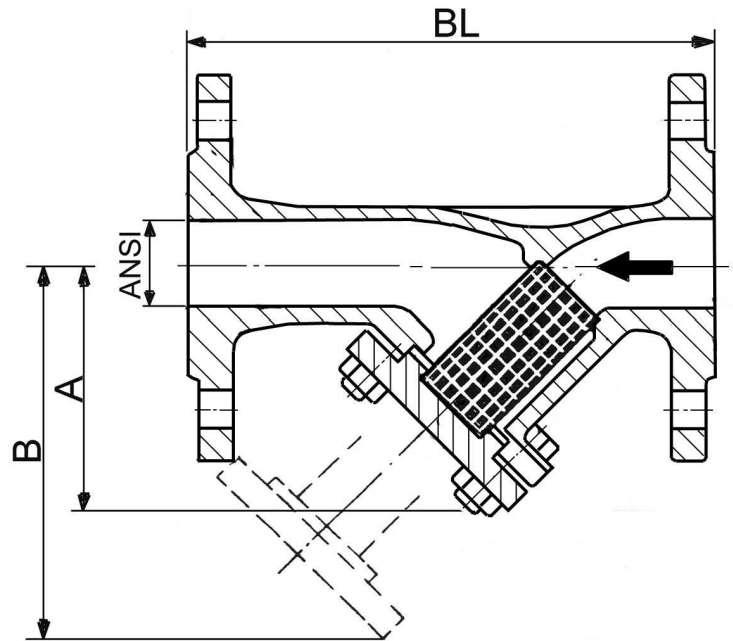
Flanges 150 lbs
 Nominal pressure 19 bar
 Nominal Temp max. 300°C

Options:

Double screen in WN 1.4571
 flanged acc. 300 lbs
 flanged connection acc to DIN
 Drain plug
 Heating jacket

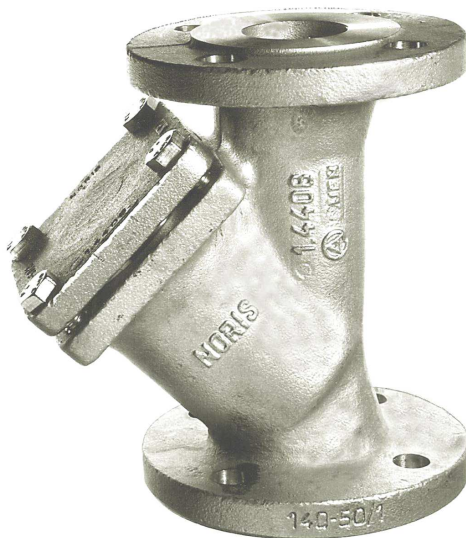
Materials:

Body	WN 1.4408	GS-C 25
Covers	WN 1.4408/1.4571	GS-C 25 / H II
Screws	A4 - 70	5.6 gal.
Screen	WN 1.4571 / 1.4401	
Gasket	Graphite (or other materials)	



Ordering example:

Strainer, Y-type Bauform 140-A
 stainless steel
 ANSI 2", 150 lbs



Dimension:

ANSI	BL (DIN F1)	A	B	Mesh-size
1/2"	130	75	115	0,6
3/4"	150	80	125	
1"	160	90	135	0,8
1 1/4"	180	90	135	
1 1/2"	200	110	170	
2"	230	120	190	
2 1/2"	290	140	220	1,2
3"	310	165	265	
4"	350	220	340	
5"	400	260	350	1,5
6"	480	300	510	
8"	600	360	580	
10"	730	495	720	

Modification reserved

NORIS ARMATUREN Burkenstein GmbH & Co. KG

Puscherstrasse 3
 D-90411 Nürnberg

Telefon: +49 (0) 911 / 52 150 63
 Telefax: +49 (0) 911 / 52 24 40

Internet: Noris-Armaturen.de
 E-Mail: Noris@Noris-Armaturen.de